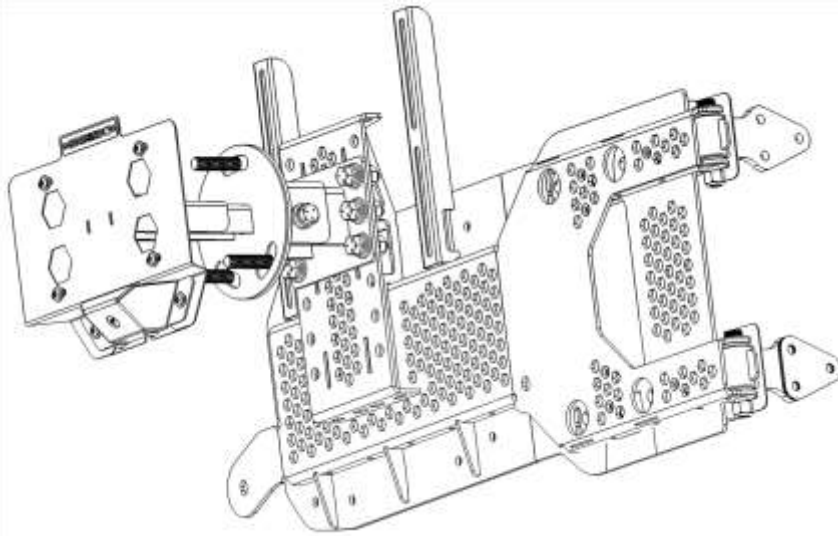


# GORRHINO®

## INSTALLATION INSTRUCTIONS



PART NO.

- 27137T

PRODUCT DESCRIPTION:

- Body Mount Tire Carrier

APPLICATION:

- JEEP WRANGLER JL
- JEEP WRANGLER JLU

**Note:** This spare tire relocation kit is intended for use with MOST 37" tires.

### PRODUCT SAFETY & LEGAL DISCLAIMER

- **IMPORTANT READ ALL INSTRUCTIONS CAREFULLY BEFORE INSTALLING, FAILURE TO DO SO MAY CAUSE PERSONAL INJURY OR DAMAGE TO PRODUCT AND/OR PROPERTY.**
- **Review the product package and contents prior to beginning the installation.** Take care when opening the packaging and removing items. If a return is needed you will want to return the product in its original packaging if possible.
- This instruction guide is provided as a GENERAL installation guide, some vehicles vary dimensionally and may require additional steps.
- Test fit the product on the vehicle prior to any third party modifications and or finishing. The manufacturer and/or distributors do not accept responsibility for third party charges, labor and or third part replacement modifications. Some modifications may void the factory warranty.
- Exercise due-diligence when installing this product. The manufacturer and distributors of this product do not accept any responsibility for vehicle damage or personal injury resulting from the installation of this product. Careless installation and operation can result in serious injury or equipment damage.
- This product is for general off-road use. All liability for installation and use rests with the owner/operator.
- **INSTALLER:** Once installation is complete, please return this guide along with other documentation included in this product back to the consumer for future reference. The manufacturer/distributors of this product do not guarantee this particular version will be available at a later date.

© 2016 Go Rhino Products. All rights reserved

[www.gorhino.com](http://www.gorhino.com)

589 W. Apollo St., Brea, CA 92821

P: 888 427 4466



## INSTALLATION INSTRUCTIONS

### INJURY HAZARD

Please complete a shop and tool inspection prior to beginning the installation.

- Always make sure you have a clean, dry and well lit work area.
- Always remove jewelry, loose fitting clothing and wear protective gloves and eye protection.
- Always use extreme caution when jacking or raising a vehicle for work. Set the emergency brake and use tire/wheel blocks and jack stands. Refer to the vehicle manufacturer hand book. Utilize the vehicle manufacturers designated lifting points.
- Always use appropriate and adequate care in lifting parts during disassembly and installation. Seek help in lifting heavy or large items into place. Utilize jacks and or lifting devices when available.
- Always insure products are secure during disassembly and installation.
- Always wear eye protection and take steps to protect any exposed skin during the installations. Drilling, cutting and grinding plastic and metal may create flying particles that can cause injury.
- Always use extreme caution when drilling, cutting and or grinding on a vehicle. Thoroughly inspect the area to be drilled, on both sides of material, prior to modification and relocate any objects that may become damaged.
- Always assemble and tighten all fasteners per the installation instructions.
- Always route electrical cables carefully. Avoid moving parts, parts that may become hot and rough or sharp edges.
- Always insulate and protect all exposed wiring and electrical connections.

### MAINTENANCE AND CARE

- Always perform regular inspections and maintenance on mounts and related fasteners.
- Periodically check and tighten all fasteners.
- Stripped, fractured, or bent fasteners must be replaced.
- After washing the vehicle make sure to fully dry all surfaces.
- In areas with cold temperatures make sure to wash the product often to remove harmful materials used on road ways.
- Never use abrasive cleaners or polish compounds. Clean with a gentle soap and water. If you use wax use a non-abrasive automotive wax such as pure carnauba wax.

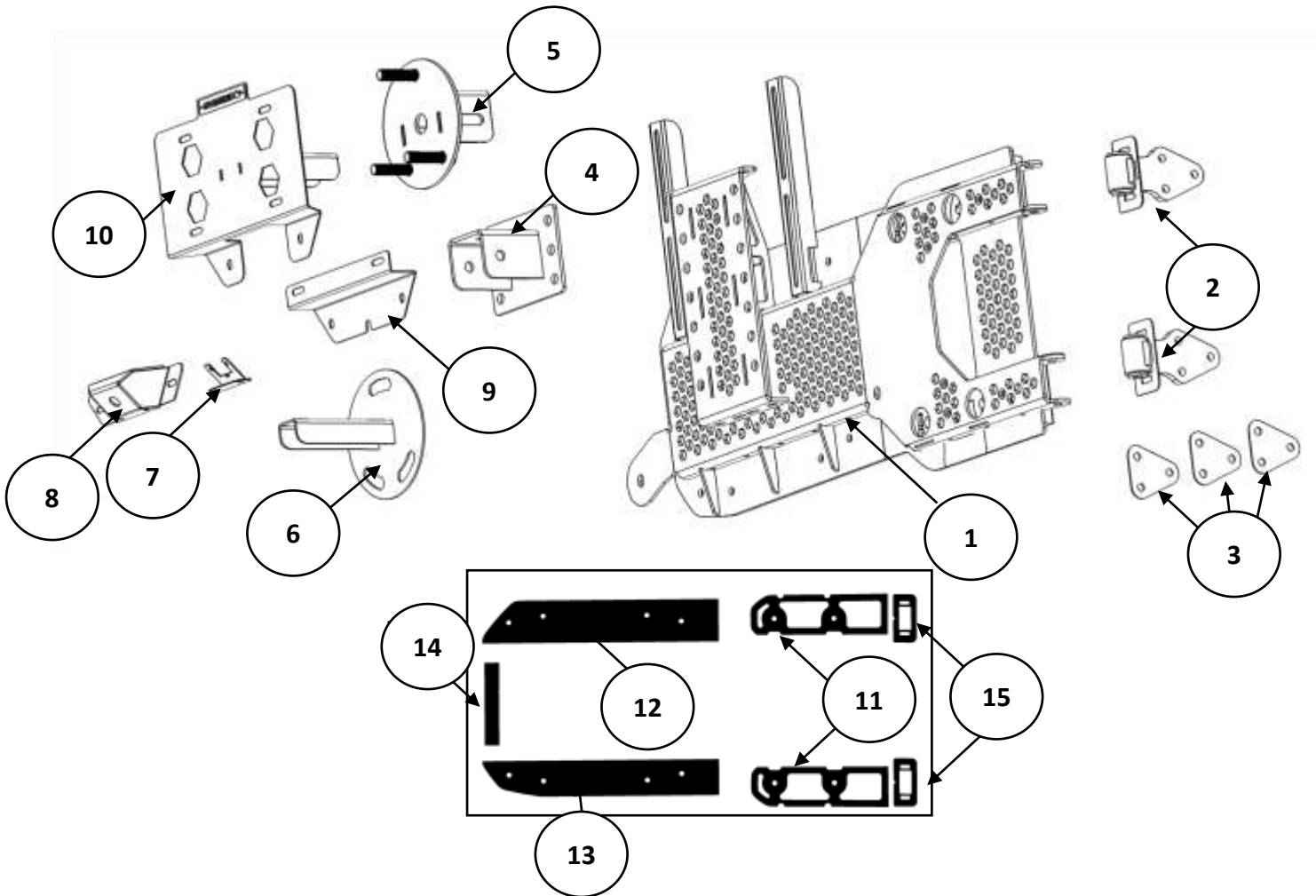
### WARNING

Some products have been designed to work together with factory rear sensor systems, factory forward facing sensor systems and factory air bags.

- Installation of some of these products may alter the factory sensor system performance.
- Factory sensors may read shackles or hooks protruding from the fairlead and or tow hooks.
- All sensor testing is completed by Go Rhino Products and or third party testing labs on modified vehicles.
- Sensor sensitivity, factory sensor housing, orientation, and operating conditions are all variables that will influence functionality of the sensors.
- Installation of some product may effect the factory air bag systems.
- Some products allow the use of third party products such as winches, shackles, hooks, etc. Follow the respective manufacturers operating instructions for use with our products.
- Make sure to fully understand the product, it's intended use and operation prior to use.
- Above all... be safe!

# GORRHINO®

## INSTALLATION INSTRUCTIONS



ITEM	QTY	PART DESCRIPTION
1	1	ROCKLINE TIRE CARRIER MAIN ASSEMBLY
2	2	ROCKLINE HINGES
3	3	HINGE SHIM
4	1	TIRE CARRIER BASE
5	1	WHEEL STUD BASE
6	1	CAMERA MOUNT PLATE
7	1	CAMERA MOUNT
8	1	CAMERA BEZEL
9	1	CAMERA BACKING PLATE
10	1	LICENSE PLATE BRACKET
11	2	TIRE CARRIER RUBBER GASKET
12	1	TIRE CARRIER RUBBER GASKET
13	1	TIRE CARRIER RUBBER GASKET
14	1	TIRE CARRIER RUBBER GASKET
15	2	TIRE CARRIER RUBBER GASKET



## INSTALLATION INSTRUCTIONS

PARTS INCLUDED IN THIS LIST:

ITEM	QTY	HARDWARE DESCRIPTION
A	9	½" X 1 ½" HEX HEAD BOLT
B	15	½" FLAT WASHER
C	9	½" LOCK WASHER
D	6	½" HEX NUT
E	6	¼" X ¾" HEX BOLT
F	14	¼" LOCK WASHER
G	22	¼" FLAT WASHER
H	4	M8X50MM HEX HEAD BOLT
I	4	M8 LOCK WASHER
J	4	M8 FLAT WASHER
K	8	¼" X ¾" BUTTON HEAD BOLT
L	8	1/4" HEX NUT
M	2	SS SHOULDER BOLT ½" X 2 ½" (THREAD: 3/8-16 X 5/8")
N	2	SS ½" NYLOC NUT
O	4	SS ½" FLAT WASHER 1 ¼" OD
P	3	3-56 Thread Size, 1/2" Long CAP HEAD SCREW
Q	3	3-56 Thread Size HEX NUT

Go Rhino recommends you, the installer, read this installation instruction manual from front to back before installing the product. You may also [click here](#) to view an installation video or visit <http://www.gorhino.com/Installation-Videos>.

### TOOLS NEEDED FOR INSTALLATION:

- 1/2" & 22mm Socket & 1/2" Wrench
- Ratchet & Extensions
- T25 & T40 Torx Driver

ESTIMATED TIME FOR INSTALLATION:

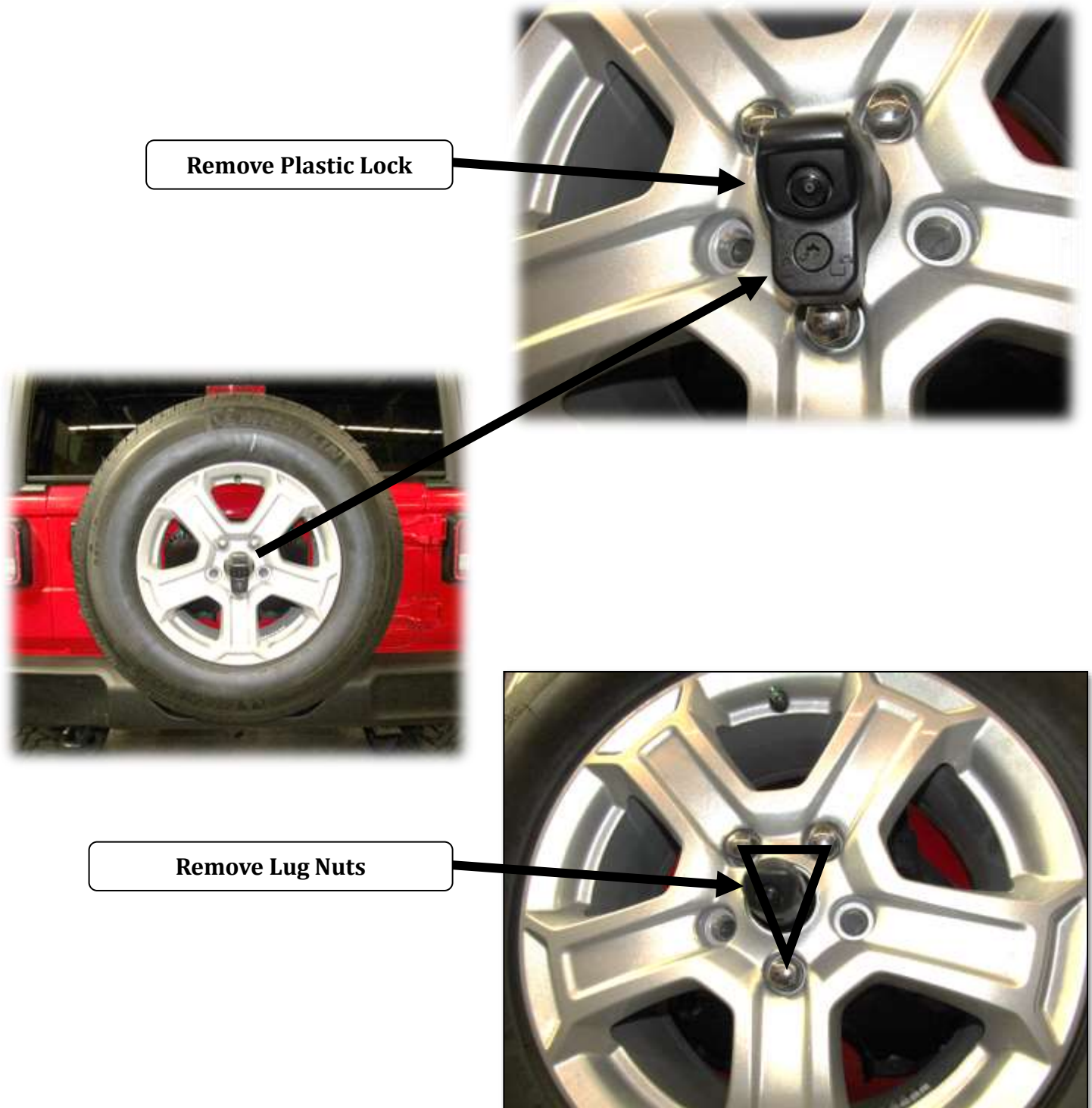
1-2 Hour

If you need installation service for your new product, call the authorized distributor from whom you purchased the product or an authorized installation service company which can be found by calling toll free 1-888-427-4466

# GO RHINO®

## INSTALLATION INSTRUCTIONS

**Step-1** Using a T40 Torx driver remove the plastic lock from the rear camera housing, next use a 22mm socket and remove the lug nuts, then remove the spare tire from the tire carrier, (FIGURE 1).

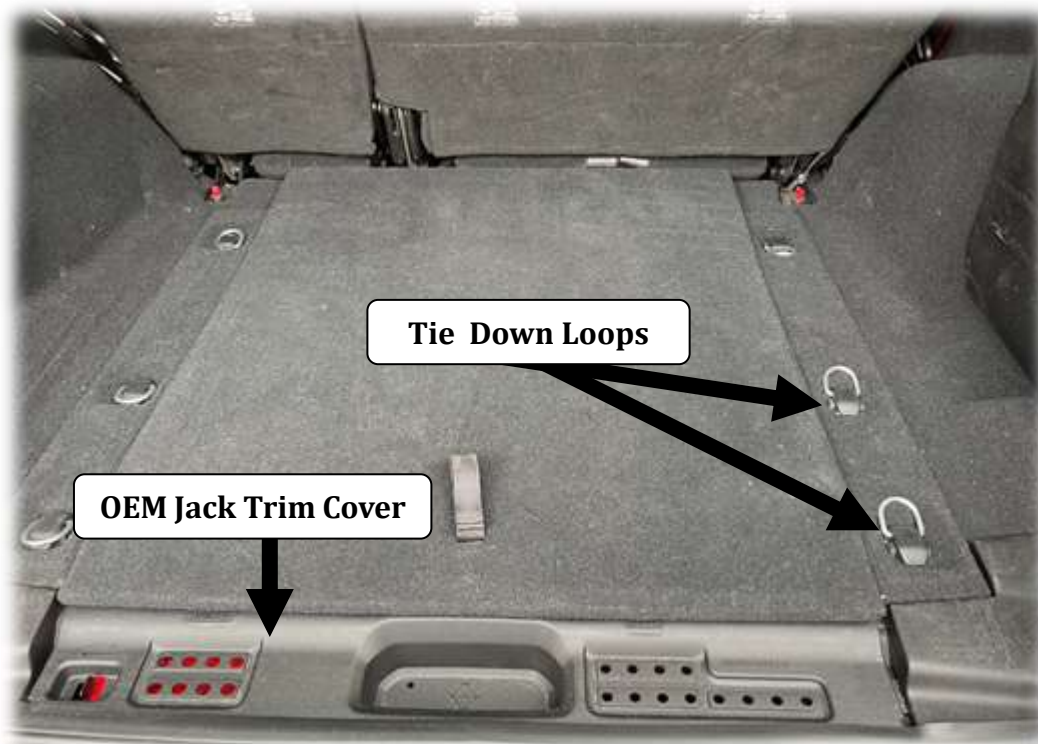




# GO RHINO®

## INSTALLATION INSTRUCTIONS

**Step-2** Move into the rear cargo area and pry up the covers on the cargo tie down loops on the left hand side. A flat blade screwdriver makes it easy. Use a T40 Torx bit and remove the screws holding the passenger side tie downs in place. Lift up the rear center cargo deck and remove the factory jack trim cover. Lift the carpet trim panel up and move it out of the way.



Use a plastic panel tool to lift up rear seat belt trim



Remove rear quarter panel. Use caution as the plastic retaining clips can break

# GO RHINO®

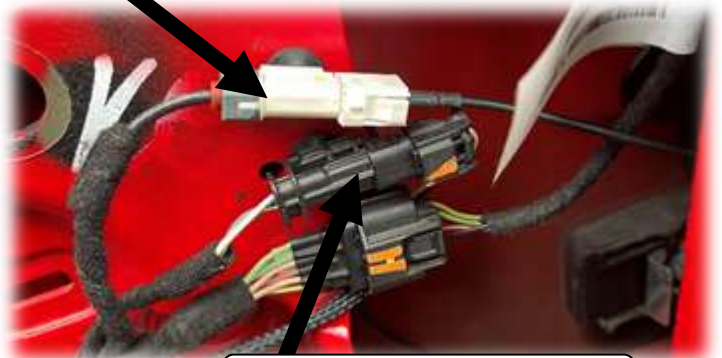
## INSTALLATION INSTRUCTIONS

**Step-3** Remove inner trim panel, use a plastic pry tool to prevent any damage. Disconnect the camera wire plug and 3rd brake light plug. Support the spare tire carrier, then using a 13mm socket remove the (8) M8 bolts securing the spare tire carrier to the tailgate. Save the M8 bolts as they will be reused to install the Rockline tire carrier. Remove entire tire carrier from the rear door. pry the rear wire harness grommet from the tailgate and fish the wire harness and plugs out. With the tire carrier removed, Using a T25 Torx driver, remove the (4) bolts securing the brake light frame to the spare tire carrier, (FIGURE 6). Save the hardware as it will be used to reinstall onto the Rockline Tire Carrier. Remove OEM Tire Bump Stops and use provided 2" round gasket covers to cover up the holes. Save the bump stops as they will be reinstalled on the Rockline tire carrier.

Back Up Camera Plug

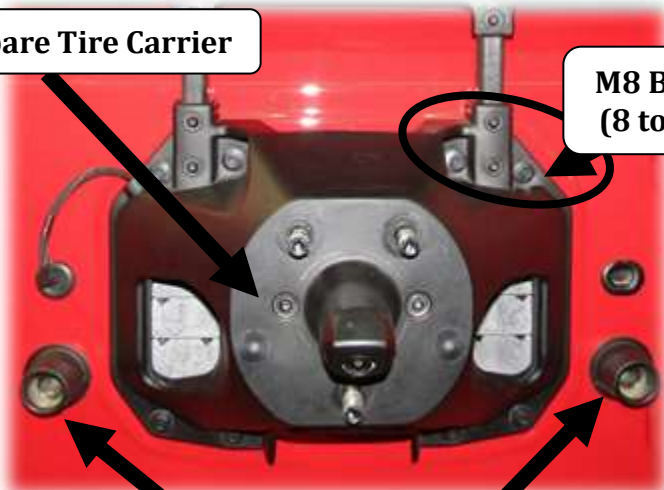


Inner trim panel



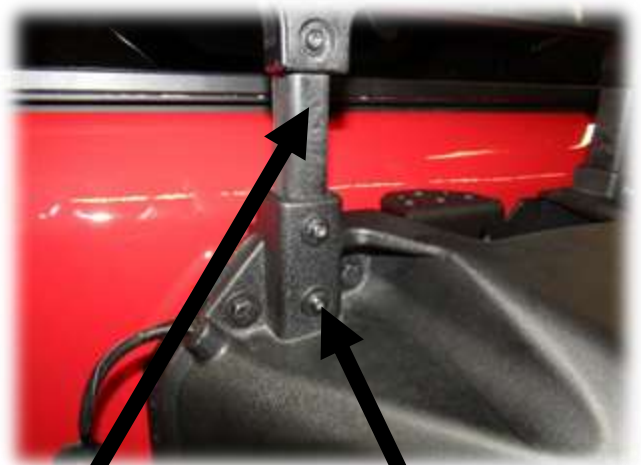
3<sup>rd</sup> Brake Light Plug

Spare Tire Carrier



M8 Bolts  
(8 total)

OEM Tire  
Bump Stops



Brake Light  
Frame

T25 Torx  
Head Bolts

# GO RHINO®

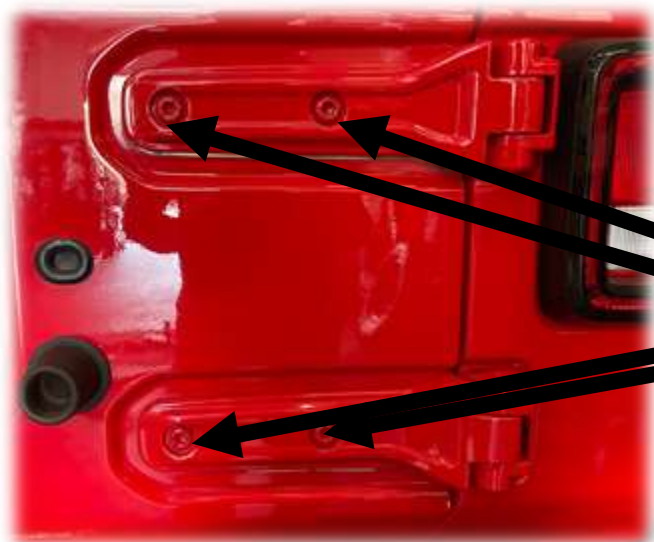
## INSTALLATION INSTRUCTIONS

**Step-4** Remove both hinge cover decals to gain access to the OEM hinge mounts. Remove the six 13MM bolts on the OEM hinge that are mounted to the body. With the tailgate closed, remove the four bolts that are securing the OEM hinges to the tailgate. Use T55 Torx Bit for removal OEM hinges from the tailgate. Save the factory tail gate hinge bracket bolts to attach the new hinges to the Jeep. Do not torque the bolts yet as you will need them loose to make any adjustments.



Hinge covers removed

Remove (6) hinge bolts



Remove



# GORRHINO®

## INSTALLATION INSTRUCTIONS



**Step-5** With OEM hinges removed, the tailgate will show the unpainted surface. It is optional to paint this as the raw metal for added protection.

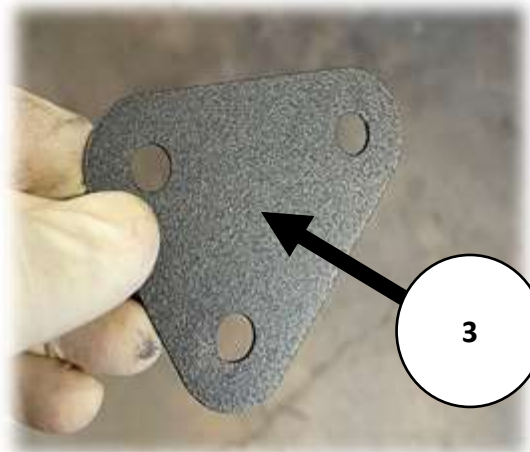
**\*\*\*Optional to paint\*\*\***



2-15

**Step-6** Install upper hinge reusing the OEM bolts. Be sure to use the vinyl gasket and that the hinge stopper is pointing towards the taillight.

Do not torque the bolts yet as you will need them loose to make any adjustments.



3

**Step-7** Install the lower hinge. Supplied are 3 triangular shaped shims to be used on the bottom tailgate hinge. The number of shims used will be dependent on the size and weight of your spare tire. You can use painters tape to hold them together. The shims should be between the body and the hinge. Be sure to use the vinyl gasket and that the hinge stopper is pointing towards the taillight.

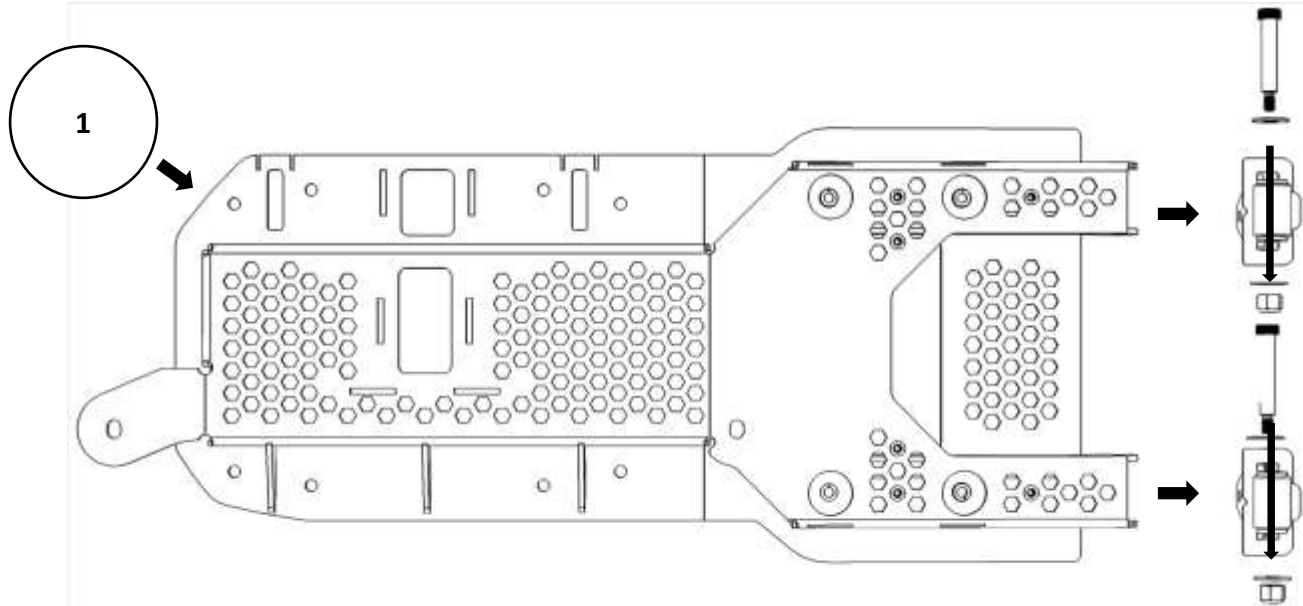
Do not torque the bolts yet as you will need them loose to make any adjustments.



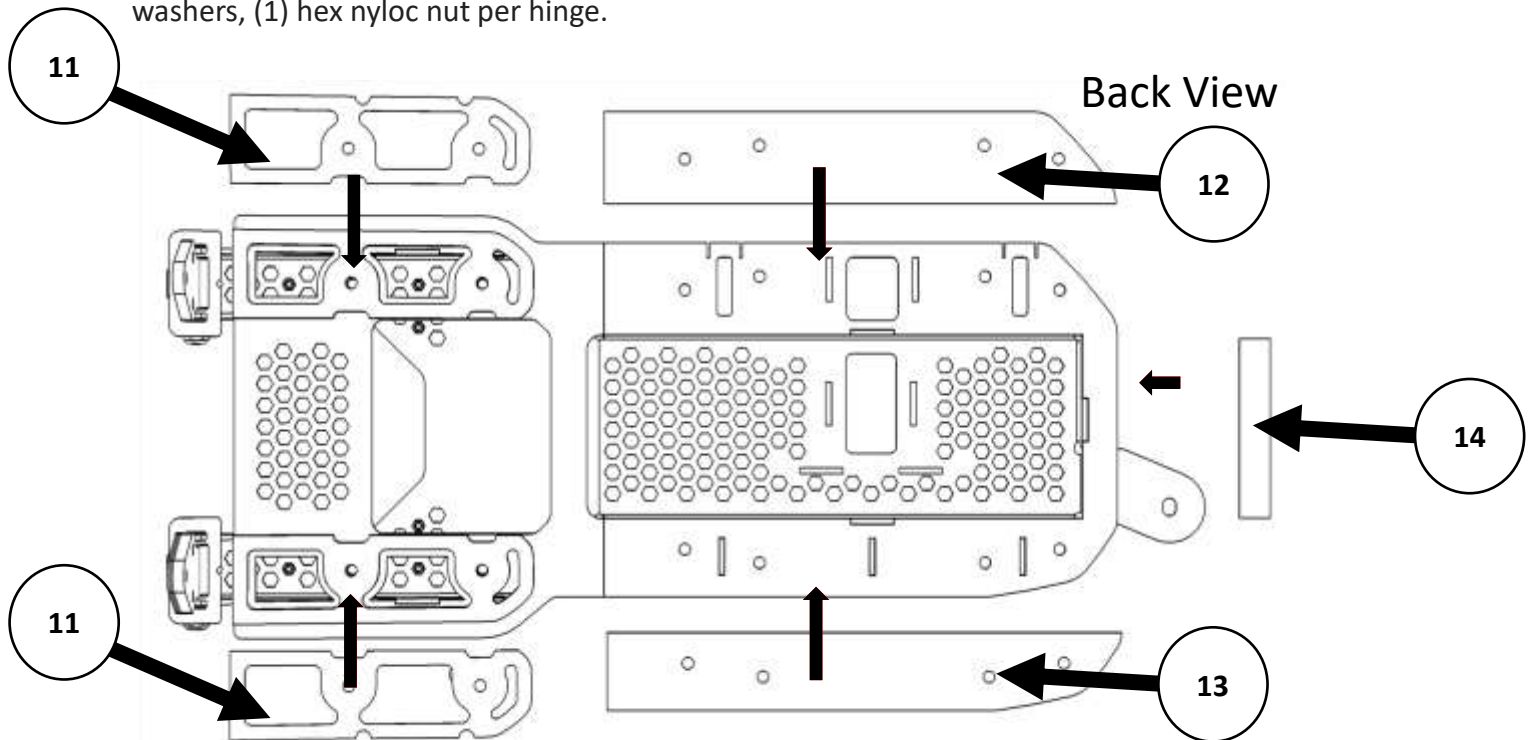
2-3-15

# GORRHINO<sup>®</sup>

## INSTALLATION INSTRUCTIONS



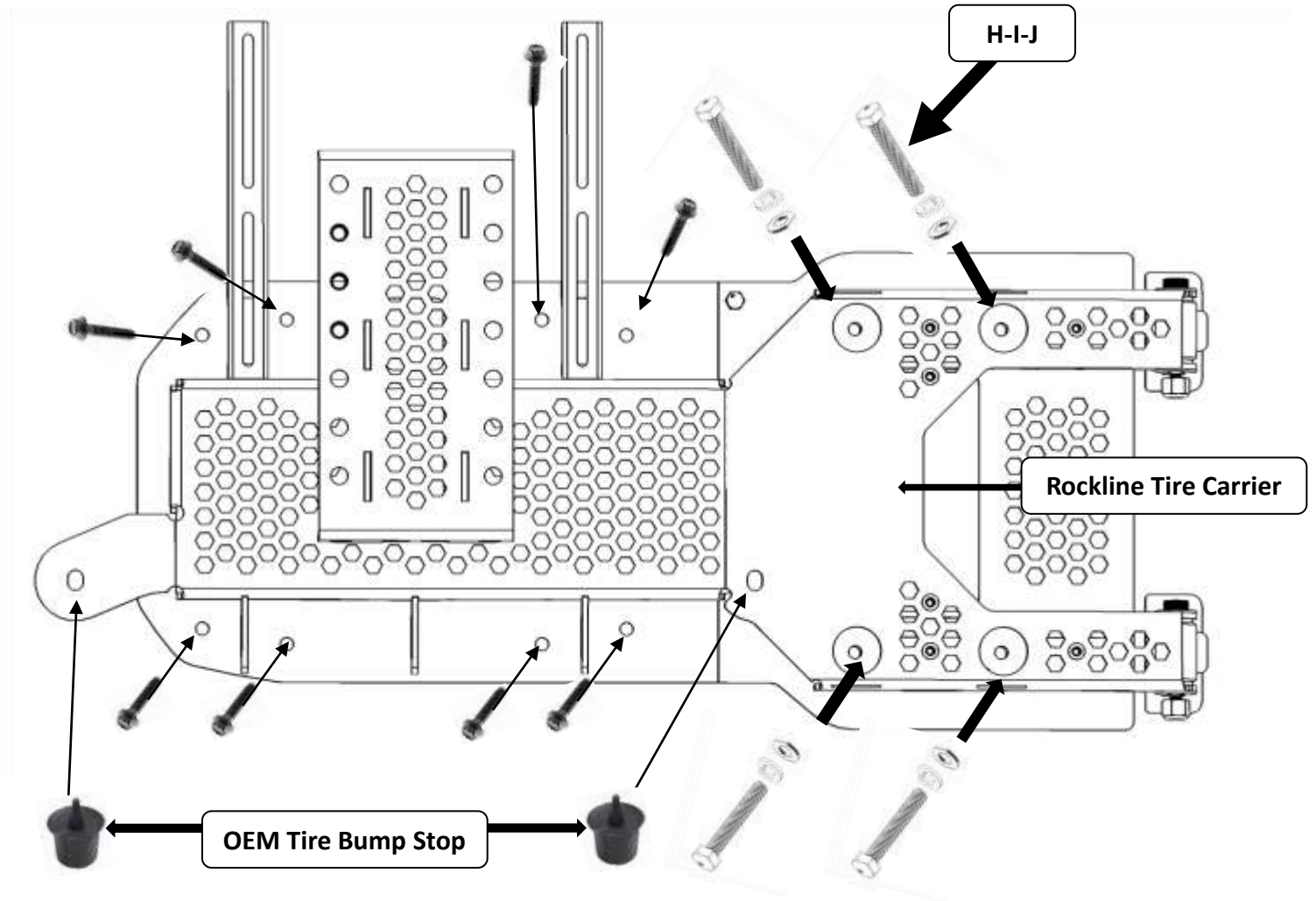
**Step-8** With assistance, install the tire carrier onto the hinge mounts. Use painters tape to protect the finish during assembly. Use (2) SHOULDER SCREW  $\frac{1}{2}$ " X 2- $\frac{1}{2}$ ", (2)  $\frac{1}{2}$ " flat washers, (1) hex nyloc nut per hinge.



**Step-9** Place supplied gaskets onto the back side of the tire carrier. Remove the paper backing from each gasket and position with adhesive side on the tire carrier. Apply firm pressure for about 30 seconds, as the adhesive needs to bond with the mounting surface, and it needs pressure to do this. Repeat this step for all gaskets.

# GO RHINO®

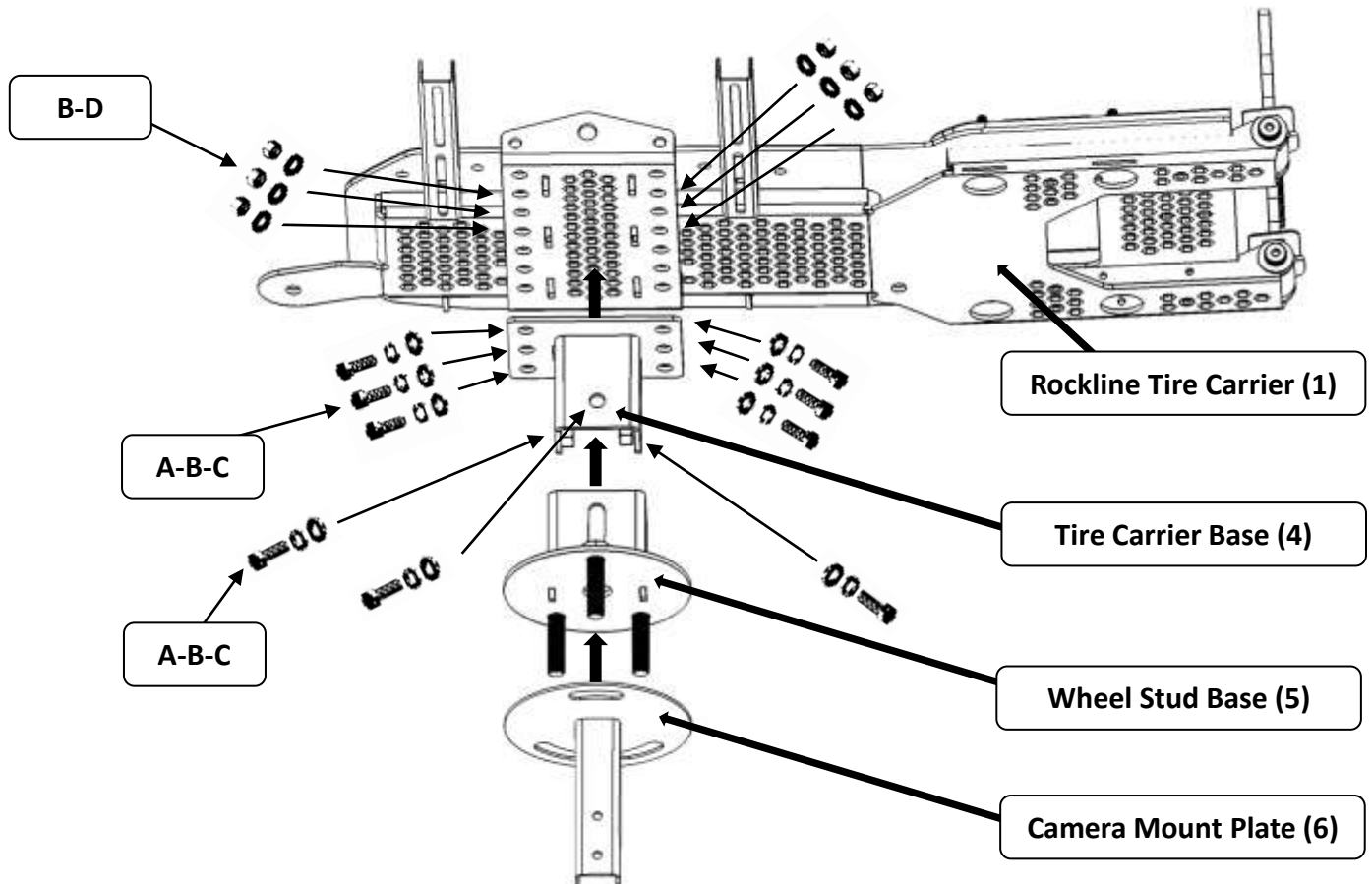
## INSTALLATION INSTRUCTIONS



**Step-9** Close the Rockline Carrier assembly against the tailgate and install the supplied (4) M8X 50mm Hex Bolts, (4) M8 Lock Washers, (4) M8 Flat Washers into the factory tailgate hinge bolt holes. Use caution so that the exposed threads do not scratch your paint. Once you have all the bolts installed, tighten all fasteners securely. Install the OEM tire bump stops onto the tire carrier.

# GORRHINO<sup>®</sup>

## INSTALLATION INSTRUCTIONS



**Step-10** The Rockline Tire Carrier has an adjustable mount that allows you to use larger wheels and offsets. Determine where you will be positioning the tire mounting brackets. Use (6)  $\frac{1}{2}$ " x 1  $\frac{1}{2}$ " hex bolts, (12)  $\frac{1}{2}$ " flat washers, (6)  $\frac{1}{2}$ " lock washers and (6)  $\frac{1}{2}$ " hex nuts to secure tire carrier base bracket to tire carrier.

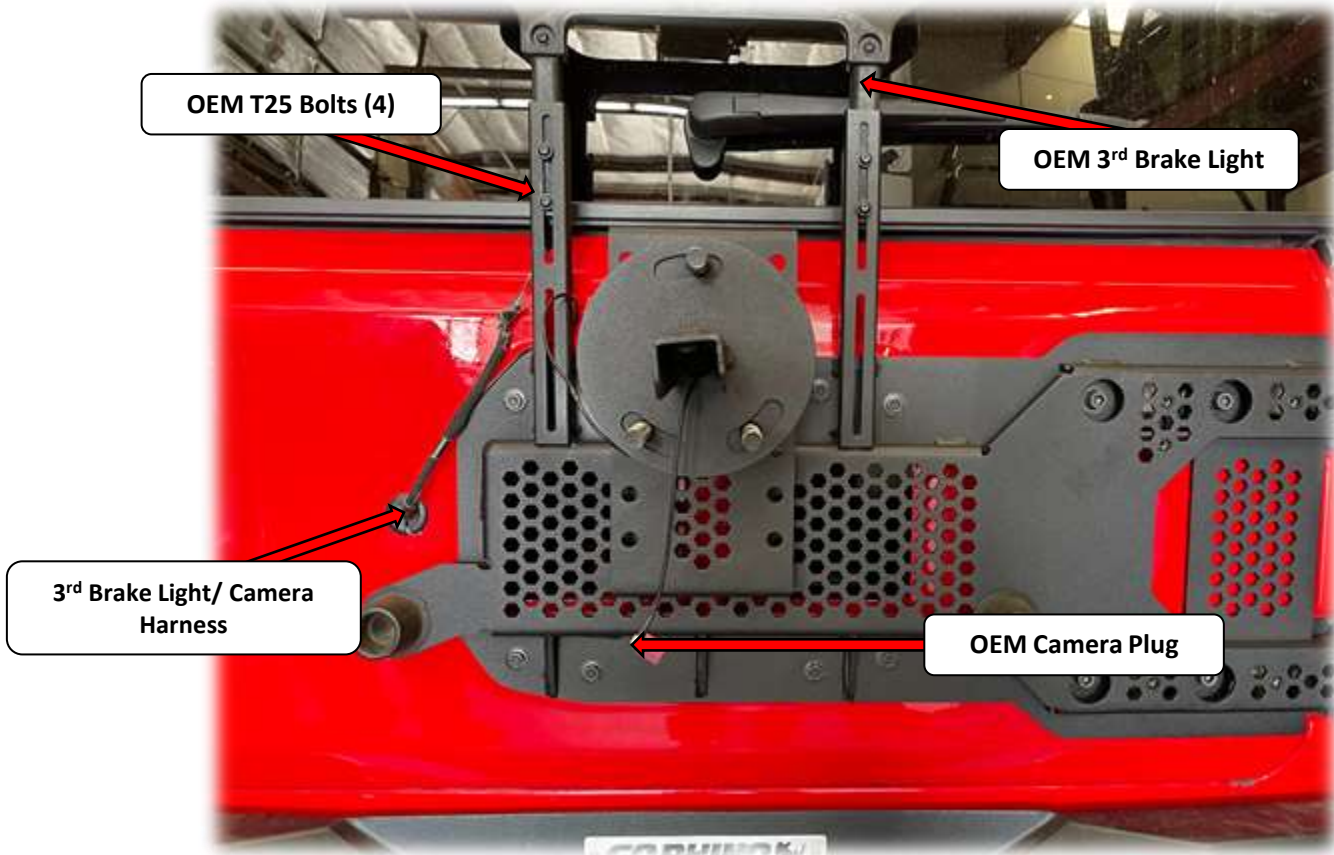
**Step-11** Install wheel stud base onto tire carrier base using (3)  $\frac{1}{2}$ " hex bolts, (3)  $\frac{1}{2}$ " lock washers and (3)  $\frac{1}{2}$ " flat washers. Slide camera mount plate onto wheel stud base. You can use painters tape to hold it on place.

**Step-12** At this point, you can mock up your tire to determine where you would like it to rest. Check to see that the rear door sits in line with the body. If the tailgate sits higher than the body, you will need to add an additional spacer to the bottom hinge to level out the door. Once you are satisfied, proceed to fasten all hardware. Remove spare tire afterwards to.



# GORRHINO®

## INSTALLATION INSTRUCTIONS



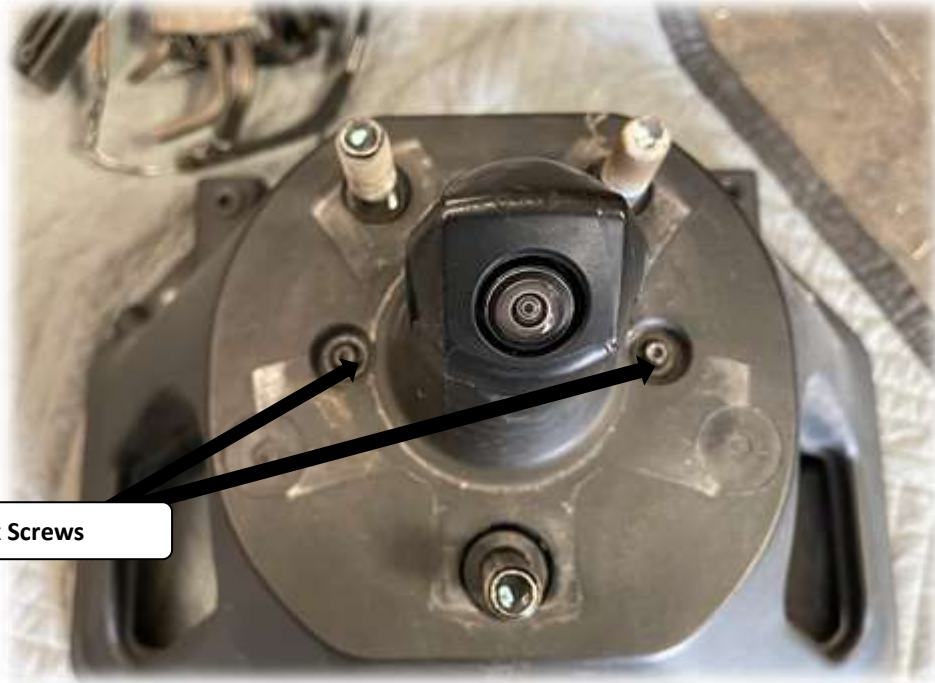
**Step-11** Reinstall the third brake light reusing the OEM T25 Torx bolts (4). Adjust to your desired height. Reinstall the OEM wire harness into the rear door and route the camera cable plug through the Wheel Stud Base and Camera Mount Plate. Install your spare tire and center the camera mount plate and run camera cable through the center bore of your wheel.

**\*\*\* Please note that you might need to use a aftermarket back up camera cable if your OEM is too short when installing your new tire carrier\*\*\***



# GORRHINO®

## INSTALLATION INSTRUCTIONS



T25 Torx Screws

**Step-12** With the factory tire carrier, removed, set it down on a work surface and remove the two T25 Torx screws holding the lug stud assembly to the tire carrier base. Use a rubber mallet to even tap down on all three lugs to drive the lugs (and lug/stud assembly) down and out the back of the tire carrier base.

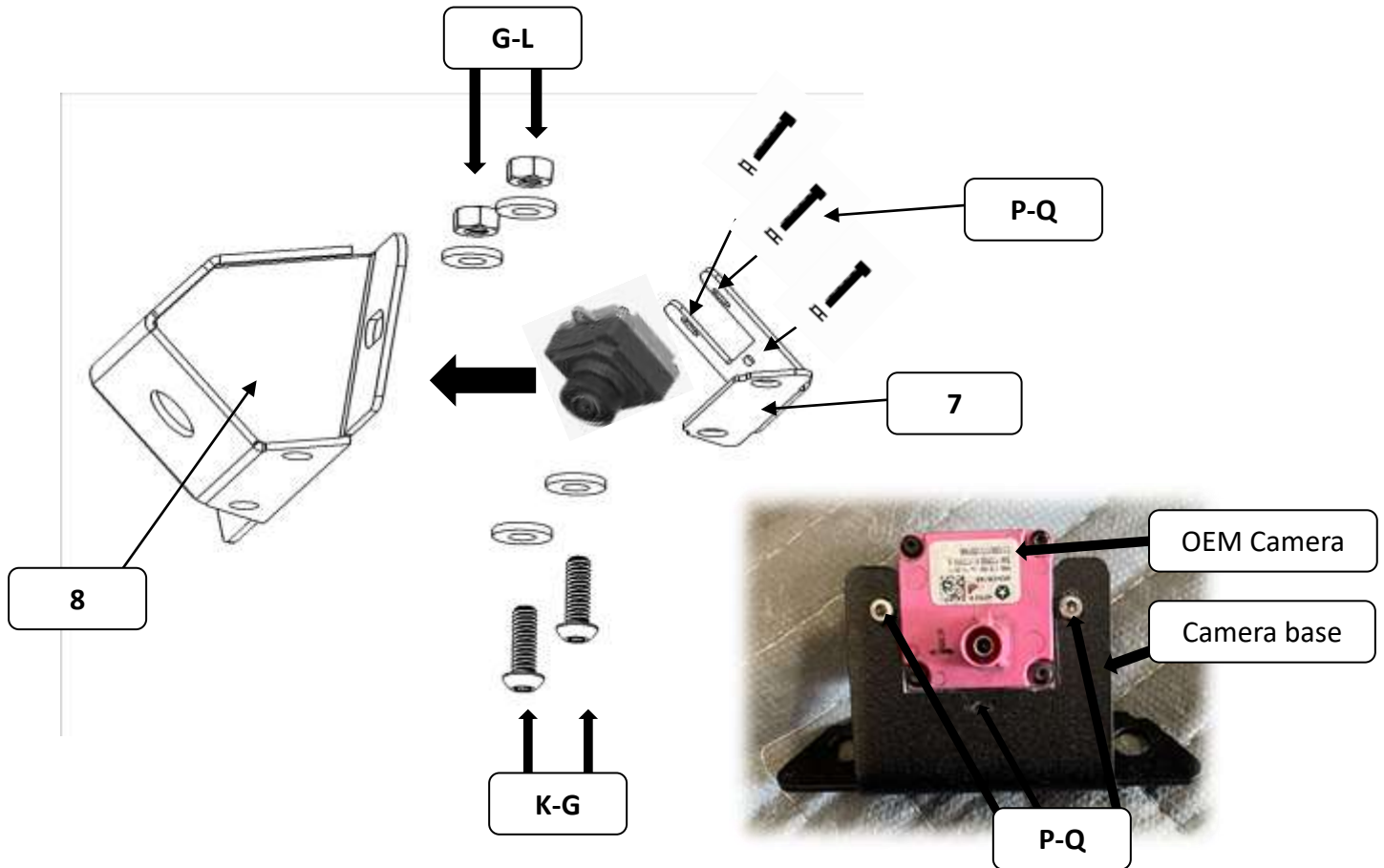


T8 Torx Screws

**Step-13** Use a T8 Torx bit to remove the three tiny screws holding the back-up camera to the camera housing. Gently pull the camera away from the camera housing and unplug the wire plug. There is a little tab to depress and the plug pulls right off. Once unplugged, remove the harness out through the back of the OE camera housing.

# GORRHINO®

## INSTALLATION INSTRUCTIONS

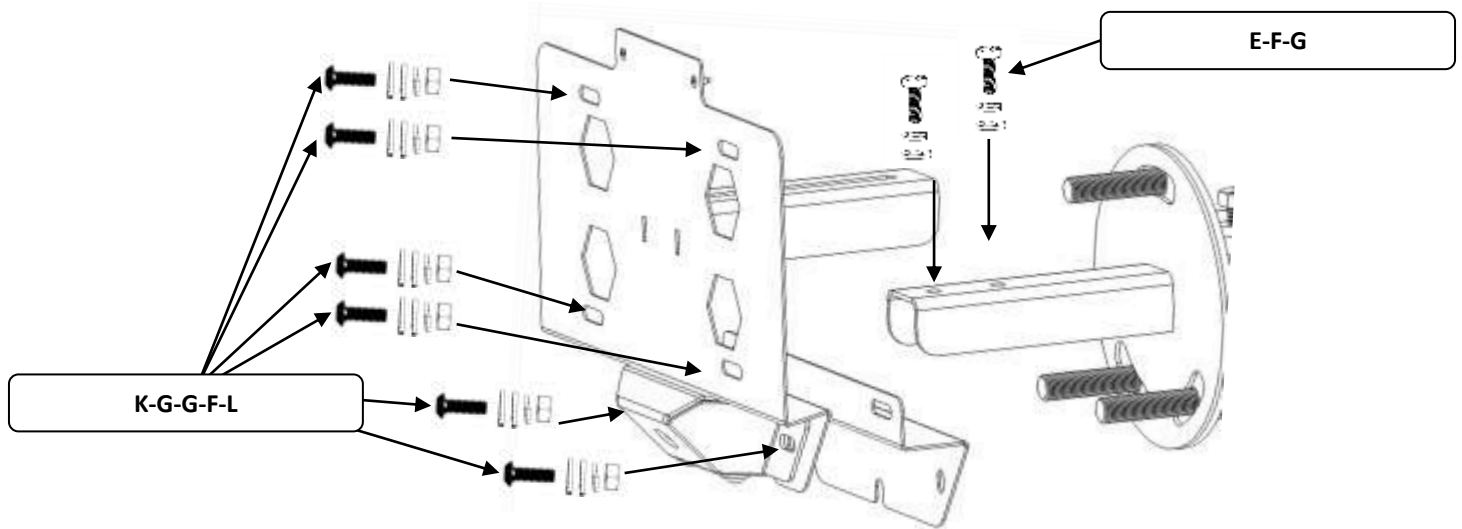


**Step-14** With the OEM Camera removed, install it onto the Camera base using (3) 3-56 x 1/2" cap head screw and (3) 3-56 hex nut.

**Step-15** With the OEM Camera installed onto the Camera base, position it behind the outer camera bezel and fasten down with (2) 1/4" button head screws, (4) flat washers and (2) 1/4" hex nuts.

# GO RHINO®

## INSTALLATION INSTRUCTIONS



**Step-16** With the camera assembled onto the bezel, reconnect the camera cable and position it against the license plate bracket. Install the camera backing plate on the backside of the license plate bracket in a “sandwich” manner. Secure using (2) ¼” x ¾” button head screw, (4) ¼” flat washer, (2) ¼” lock washer and (2) ¼” hex nut. Use (4) ¼” x ¾” button head screw, (8) ¼” flat washer, (4) ¼” lock washer and ¼” hex nut to secure your license plate to the license plate bracket.

**Step-17** Secure license plate bracket to camera light plate use (2) ¼”x ¾” hex bolt, (2) ¼” lock washer, (2) ¼” flat washer. If the license plate appears to be crooked, you will need to loosen the spare tire to center it and fasten all remaining hardware.

**Step-18** Fasten all loose hardware and plug in OEM camera cable, 3<sup>rd</sup> brake light cable. Verify that all electronics are functioning (third brake light, back up camera). Reinstall OEM interior panels. Periodically inspect hardware and fasten as needed.





# INSTALLATION INSTRUCTIONS

## LIMITED WARRANTY

Go Rhino warrants to Buyer that for a period of five (5) years from the date of shipment of the product(s) ("Warranty Period") for black finishes and chrome finishes, that such products will materially conform to the specifications set forth in Go Rhino's specifications in effect as of the date of shipment(s) and will be free from material defects in material workmanship.

Go Rhino warrants to Buyer that for the life of the product(s) from the date of shipment of the product(s) ("Warranty Period") for polished stainless steel finished products purchased after April 2004, that such products will materially conform to the specifications set forth in Go Rhino's specifications in effect as of the date of shipments and will be free from material defects in material workmanship.

Warranty claims must be accompanied with the original invoice and photos of the product. It is the customer's responsibility to clean regularly and protect finish with regular applications of a nonabrasive polish that is compatible with the product's finish.

This warranty covers the cost of the product only and does not include the cost of removal, installation, third party modifications or shipping of the product. In no event shall Go Rhino be liable to buyer or any third party for any damage or harm caused by the product or use thereof, regardless of weather such damages were foreseeable and whether or not Go Rhino has been advised of the possibility of such damages, not withstanding the failure of any agreed or other remedy of its essential purpose. This warranty is void if the product shows signs of alteration, misuse, mishandling, improper care, neglect, improper application and/or damage due to improper installation.

With respect to any such product(s) during the limited warranty period, Go Rhino shall, in its sole discretion, either: (i) provide a one-time repair or replacement of such products (or the defective part) or (ii) credit or refund the price of such products at the pro rata contract rate provided that, if Go Rhino so requests, Buyer shall, at Go Rhino's expense, return such product(s) to Go Rhino. The remedies shall be the Buyer's sole and exclusive remedy and Go Rhino's entire liability for any breach of the limited warrant(ies).

Go Rhino disclaims all other warranties except to the extent that any such warranty cannot be validly disclaimed under applicable law.

### **Finish Limited Warranty:**

Limited lifetime on stainless steel products (after April 2004)  
5 year warranty on black powder coat products  
5 year warranty on chrome products  
This warranty does not cover exposed welds

Finish warranty covers peeling, flaking, or cracking. Washing all finishes regularly with car wash soap and rinsing well with water is the best method for maintaining the finish on your products. You must also protect the finish with nonabrasive automotive wax on a regular basis. The use of any compound which contains abrasives becomes a self-defeating exercise as the compound scratches the finish and opens it to corrosion. The use of harsh chemicals used to remove bugs and tar may also cause the finish to fail and should be avoided.

If you are unsatisfied with your purchase please contact the establishment you purchased the product from.

If you need to place a warranty claim or need assistance, the Go Rhino customer service team will answer any questions you may have. Please contact the Go Rhino customer service team at 1-888-427-4466 during normal business hours Monday thru Friday 7 am to 5 pm PST. You may also email [warranty@gorhino.com](mailto:warranty@gorhino.com). In order to better serve you please provide a copy of the original invoice / receipt, a photo of the issue you are experiencing and a photo of the vehicle the product is installed on.

All warranty returns must have an approved RGA number. The RGA number must be clearly marked on the exterior of the return package. All approved warranty returns must be shipped to Go Rhino Products, 1002 Carriers Drive, Laredo, Texas 78045.

## PRODUCT REGISTRATION

Please remember to register your new purchase. You may register your product at [www.gorhino.com](http://www.gorhino.com). Registering your product may help speed any future warranty or customer service inquiries.

**Thank you again for purchasing from Go Rhino Products**

Please take a few minutes to view additional products for your vehicle and more at [GORHINO.com](http://GORHINO.com)  
These installation instructions are available on the Go Rhino web site along with installation videos for many of our products.

[www.gorhino.com](http://www.gorhino.com)

[www.bigcountryauto.com](http://www.bigcountryauto.com)

[www.gorhinopd.com](http://www.gorhinopd.com)